

XL³ 800
equipment selection

Device	Fixing	Position	Type of device	Fixing device	+	Plate	Faceplate for devices		
							Height (mm)	1/4 turn	Screw
XL³ 800 - 24 modules							XL³ 800 - 24 modules		
FIXING ON DIN RAIL									
Lexic < 63 A	Cabinet or enclosure	vertical		206 00	-		150	208 00	209 00
Lexic > 63 A	Cabinet or enclosure	vertical		206 00	-		200	208 01	209 01
Vistop 63 to 160 A	Cabinet or enclosure	vertical		206 00	-		200	208 01	209 01
DPX 125	Cabinet or enclosure	vertical	with modular equipment	206 00		262 08	200	208 01	209 01
DPX 160	Cabinet or enclosure	vertical	with modular equipment	206 00		262 09	300	208 10	209 10
DPX 250 ER	Cabinet or enclosure	vertical	with modular equipment	206 00		262 09	300	208 10	209 10
DPX-IS 250	Cabinet or enclosure	vertical	with modular equipment	206 00		262 39	300	208 10	209 10
FIXING ON PLATE									
DPX 125 (Combination possible with DPX 160 and DPX 250 ER)	Cabinet or enclosure	vertical	1 to 4 devices, no e.l.c.bs	-		206 10	300	208 10	209 10
		horizontal	1 to 4 devices, with e.l.c.bs with or without e.l.c.bs	-		206 12 206 14	400 200	208 12 ⁽¹⁾ 208 14	209 12 ⁽¹⁾ 209 14 ⁽¹⁾
DPX 160 (Combination possible with DPX 125 and DPX 250 ER)	Cabinet or enclosure	vertical	1 to 3 devices, no e.l.c.bs	-		206 10	300	208 10	209 10
		vertical	1 to 3 devices, with e.l.c.bs	-		206 12	400	208 12 ⁽¹⁾	209 12 ⁽¹⁾
		horizontal	plug-in version with or without e.l.c.bs	-		206 64 206 14	300 200	208 10 208 15	209 10 209 15 ⁽¹⁾
DPX 250 ER (Combination possible with DPX 125 and DPX 160)	Cabinet or enclosure	vertical	1 to 3 devices, no e.l.c.bs	-		206 10	300	208 10	209 10
		vertical	1 to 3 devices, with e.l.c.bs	-		206 12	400	208 12 ⁽¹⁾	209 12 ⁽¹⁾
		horizontal	plug-in version with or without e.l.c.bs	-		206 66 206 16	300 200	208 10 208 16	209 10 209 16 ⁽¹⁾
DPX-IS 250	Cabinet or enclosure	vertical	device only in central position 1 or 2 devices	-		206 05 206 05	300 300	208 10 208 06	209 10 209 06
DPX 250	Cabinet or enclosure	vertical	1 to 3 devices, no e.l.c.bs	-		206 20	400	208 20	209 20
		horizontal	1 to 3 devices, with e.l.c.bs with or without e.l.c.bs	-		206 22 206 24	600 200	208 22 208 24	209 22 209 24
DPX 630	Cabinet or enclosure	vertical	1 to 3 devices, no e.l.c.bs	-		206 20	400	208 20	209 20
		vertical	1 to 3 devices, with e.l.c.bs	-		206 22	600	208 22	209 22
		horizontal	with or without e.l.c.bs	-		206 36	300	-	209 23
	Internal cable sleeves	vertical	with or without e.l.c.bs	-		206 23 206 37	300 1550	208 23 -	209 23 204 48/49
DPX-IS 630 and DPX 630	Cabinet or enclosure	vertical	with or without e.l.c.bs	-		206 33	300	-	209 07
DPX-IS 630	Cabinet or enclosure	vertical	device only	-		206 33	600	-	209 22
DPX-IS 630	Cabinet or enclosure	vertical	device only	-		206 07	300	208 07	209 07
DPX-IS 1 600	Cabinet or enclosure	vertical	device only	-		206 30	300	-	209 08
DPX 1600	Cabinet or enclosure	vertical	device only	-		206 30	400	208 30	209 30
		horizontal	device only	-		206 30	400	208 34	209 34
XL³ 800 - 36 modules							XL³ 800 - 36 modules		
FIXING ON DIN RAIL									
Lexic < 63 A	Cabinet or enclosure	vertical		206 50	-		150	-	209 50
Lexic > 63 A	Cabinet or enclosure	vertical		206 50	-		200	-	209 51
Vistop 63 to 160 A	Cabinet or enclosure	vertical		206 50	-		200	-	209 51
DPX 125	Cabinet or enclosure	vertical	with modular equipment	206 50		262 08	200	-	209 51
DPX 160	Cabinet or enclosure	vertical	with modular equipment	206 50		262 09	300	-	209 60
DPX 250 ER	Cabinet or enclosure	vertical	with modular equipment	206 50		262 09	300	-	209 60
DPX-IS 250	Cabinet or enclosure	vertical	with modular equipment	206 50		262 39	300	-	209 60
FIXING ON PLATE									
DPX 125 (Combination possible with DPX 160 and DPX 250 ER)	Cabinet or enclosure	vertical	no e.l.c.bs	-		206 60	300	-	209 60
		vertical	with e.l.c.bs	-		206 62	400	-	209 62 ⁽¹⁾
DPX 160 (Combination possible with DPX 125 and DPX 250 ER)	Cabinet or enclosure	vertical	no e.l.c.bs	-		206 60	300	-	209 60
		vertical	with e.l.c.bs	-		206 62	400	-	209 62 ⁽¹⁾
DPX 250 ER (Combination possible with DPX 125 and DPX 160)	Cabinet or enclosure	vertical	no e.l.c.bs	-		206 60	300	-	209 60
		vertical	with e.l.c.bs	-		206 62	400	-	209 62 ⁽¹⁾
DPX-IS 250	Cabinet or enclosure	vertical	1 or 2 devices	-		206 55	300	-	209 60
DPX 250	Cabinet or enclosure	vertical	no e.l.c.bs	-		206 70	400	-	209 70
		vertical	with e.l.c.bs	-		206 72	600	-	209 72
DPX 630	Cabinet or enclosure	vertical	no e.l.c.bs	-		206 70	400	-	209 70
		vertical	with e.l.c.bs	-		206 72	600	-	209 72
DPX-IS 630	Cabinet or enclosure	vertical	device only	-		206 57	300	-	209 57
DPX 1600	Cabinet or enclosure	vertical	device only	-		206 80	400	-	209 80
		horizontal	device only	-		206 80	400	-	209 84E

(1) With window adaptor, to be ordered separately, Cat.No: 203 67: adaptor for DPX 125 with earth leakage module 203 68: adaptor for DPX 160 with earth leakage module 203 69: adaptor for DPX 250 ER with earth leakage module

(1) Faceplates for cable sleeves with hinges and locks

XL³ 800

distribution cabinets, cable sleeves and doors



204 01



204 06



212 51



212 61

Dimensions (p. 201)

IP 43 - IK 08 with kit and door
 IP 40 - IK 08 with door
 IP 30 - IK 07 without door
 Metal enclosures
 Can take devices up to 800 A
 Fireproof to 750 °C/5 s in accordance with IEC 60695-2-1
 For installation in public buildings
 Capacity: 24 and 36 modules per row
 RAL 7035
 Supplied flat with functional uprights fitted on the back, adjustable cable entry plate and joining accessories (horizontal and vertical)

Pack	Cat.Nos	Cabinets				
		Width 660 mm				
		24 modules per row				
		Height (mm)	Faceplate height (mm)	Width (mm)		Depth (mm)
				external	usable	
1	204 01	1 050	1 000	660	600	230
1	204 02	1 250	1 200	660	600	230
		Width 910 mm				
		Can incorporate a cable sleeve				
		36 or 24 modules (if internal cable sleeve)				
		Height (mm)	Faceplate height (mm)	Width (mm)		Depth (mm)
				external	usable	
1	204 06	1 050	1 000	910	850	230
1	204 07	1 250	1 200	910	850	230

Pack	Cat.Nos	Doors				
		Supplied with handle, interchangeable key barrels (to be ordered separately, p. 179)				
		Curved				
				For cabinet Height x Width (mm)	Distance faceplate/door	
					Metal	Glass
1	212 51	212 61	1 050 x 660	67	63	
1	212 52	212 62	1 250 x 660	67	63	
1	212 56	212 66	1 050 x 910	67	63	
1	212 57	212 67	1 250 x 910	67	63	
				IP 43 kit		
1	201 30	For cabinets width 660 and 910 mm				

Pack	Cat.Nos	Internal cable sleeves				
		Kit for internal cable sleeve				
		Mounting on the right or left-hand side inside 910 mm wide cabinets				
		Comprising: upright and mounting accessories				
		For creating a cable sleeve usable width of 250 mm				
1	204 26	For cabinet height 1 050 mm, Cat.No 204 06				
1	204 27	For cabinet height 1 250 mm, Cat.No 204 07				
		Solid faceplates with hinges and locks				
1	204 46	For internal cable sleeves height 1 050 mm				
1	204 47	For internal cable sleeves height 1 250 mm				

Distribution equipment and faceplates (p. 196 to 199)

Wiring accessories (p. 200)

Distribution (p. 228)

XL³ 800

distribution enclosures, cable sleeves and doors



Dimensions (p. 201)

IP 43 – IK 08 with kit and door
 IP 40 – IK 08 with door
 IP 30 – IK 07 without door
 Metal enclosures. Can take devices up to 800 A
 Fireproof to 750 °C/5 s in accordance with IEC 60695-2-1. For installation in public buildings
 Capacity: 24 and 36 modules per row. RAL 7035
 Supplied flat with functional uprights fitted on the back, adjustable cable entry plate and joining accessories (horizontal and vertical)

Pack	Cat.Nos	Enclosures				
		Supplied with plinth, height 100 mm				
		Width 660 mm				
		24 modules per row				
		Height (mm)	Faceplate height (mm)	Width (mm) external	Width (mm) usable	Depth (mm)
1	204 03	1550	1400	660	600	230
1	204 04	1950	1800	660	600	230
		Width 910 mm				
		Can incorporate a cable sleeve				
		36 or 24 modules (if internal cable sleeve)				
		Height (mm)	Faceplate height (mm)	Width (mm) external	Width (mm) usable	Depth (mm)
1	204 08	1550	1400	910	850	230
1	204 09	1950	1800	910	850	230

Pack	Cat.Nos	Internal cable sleeves				
		Kit for internal cable sleeves				
		Mounting on the right or left-hand side inside 910 mm wide enclosures				
		Comprising: upright and mounting accessories				
		For creating a cable sleeve with a usable width of 250 mm				
1	204 28	For enclosure height 1550 mm, Cat.No 204 08				
1	204 29	For enclosure height 1950 mm, Cat.No 204 09				
		Fixing devices				
1	206 78	For DPX 250 and 630 vertical				
1	206 79	For DPX 250 and 630 vertical with earth leakage module				
		Faceplates with hinges and locks				
		With cut-outs for DPX 250 or 630 with or without earth leakage module				
1	204 48	For internal cable sleeve, height 1550 mm				
1	204 49	For internal cable sleeve, height 1950 mm				

Pack	Cat.Nos	Doors				
		Supplied with handle, interchangeable key barrels (to be ordered separately, p. 179)				
		Curved				
			For enclosure Height x Width (mm)	Distance faceplate/door		
				Metal	Glass	
1	212 53	Metal	1550 x 660	67	63	
1	212 54	Glass	1950 x 660	67	63	
1	212 58	Metal	1550 x 910	67	63	
1	212 59	Glass	1950 x 910	67	63	

Pack	Cat.Nos	External cable sleeves				
		Side cable sleeves				
		Can be attached on the right or left-hand side				
		Supplied with a plinth height 100 mm and joining accessories				
		Height (mm)	Faceplate height (mm)	Width (mm) external	Width (mm) usable	Depth (mm)
1	204 23	1550	1400	460	400	230
1	204 24	1950	1800	460	400	230
		Fixing devices				
1	206 28	For DPX 250 and 630 vertical				
1	206 29	For DPX 250 and 630 vertical with earth leakage module				
		Faceplates with hinges and locks				
		With cut-outs for DPX 250 or 630 with or without earth leakage module				
1	204 43	Height 1550 mm				
1	204 44	Height 1950 mm				
		Doors				
1	204 33	For cable sleeve height 1550 mm				
1	204 34	For cable sleeve height 1950 mm				

Pack	Cat.Nos	IP 43 kit				
1	201 30	For enclosures and cable sleeves				

Distribution equipment and faceplates (p. 196 to 199)

Wiring accessories (p. 200)

Distribution (p. 228)

XL³ 800

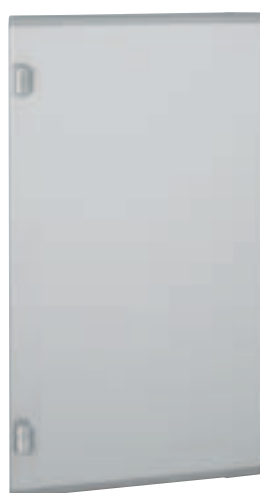
IP 55 distribution cabinets, cable sleeves and doors



204 51



204 56



212 71



212 76

Dimensions (p. 201)

IP 55 with door IK 08
 Metal enclosures
 Can take devices up to 630 A
 Fireproof to 750°C/5 s in accordance with IEC 60695-2-1
 For installation in public buildings
 Capacity: 24 and 36 modules per row
 RAL 7035
 Can be joined horizontally
 For industrial external use and urban use undershelter

Pack	Cat.Nos	Cabinets				
		Supplied without side panels				
		Width 700 mm				
		24 modules per row				
		Height (mm)	Faceplate height (mm)	Width (mm)		Depth (mm)
				external	usable	
1	204 51	1 095	1 000	700	600	225
1	204 52	1 295	1 200	700	600	225
		Width 950 mm				
		Can incorporate a cable sleeves				
		36 or 24 modules (if integrated cable sleeves)				
		Height (mm)	Faceplate height (mm)	Width (mm)		Depth (mm)
				external	usable	
1	204 56	1 095	1 000	950	850	225
1	204 57	1 295	1 200	950	850	225
		Side panels				
		Set of 2 side panels				
1	204 66	For cabinet height 1 095 mm				
1	204 67	For cabinet height 1 295 mm				

Pack	Cat.Nos	Internal cable sleeves				
		Kit for internal cable sleeves				
		Mounting on the right or left-hand side inside 950 mm wide cabinets				
		Comprising : upright and mounting accessories				
		For creating a cable sleeves with a usable width of 250 mm				
1	204 26	For cabinets height 1 095 mm, Cat.No 204 56				
1	204 27	For cabinets height 1 295 mm, Cat.No 204 57				
		Faceplates with hinges and locks				
1	204 46	For internal cable sleeves height 1 095 mm				
1	204 47	For internal cable sleeves height 1 295 mm				

Pack	Cat.Nos	Doors				
		Supplied with handle, interchangeable key barrels (to be ordered separately, p. 179)				
		Flat				
			For cabinet Height x Width (mm)	Distance faceplate/door		
				Metal	Glass	
1	212 71	212 81	1 095 x 700	48	44	
1	212 72	212 82	1 295 x 700	48	44	
1	212 76	212 86	1 095 x 950	48	44	
1	212 77	212 87	1 295 x 950	48	44	
		Accessories				
1	205 85	Sealing kit for use when joining cabinets together				
1	204 86	Joining kit ⁽¹⁾				
8	204 82	Lifting rings Set of 2				

Distribution equipment and faceplates (p. 196 to 199)

Wiring accessories (p. 200)

Distribution (p. 228)

(1) For cabinets height 1 095 and 1 295, use 2 kits

XL³ 800

IP 55 distribution enclosures, cable sleeves and doors



204 54



204 59



204 74

Dimensions (p. 201)

IP 55 with door IK 08
 Metal enclosures. RAL 7035
 Can take devices up to 630 A
 Fireproof to 750°C/5 s in accordance with IEC 60695-2-1. For installation in public buildings
 Capacity: 24 and 36 modules per row
 Can be joined horizontally. For industrial external use and urban use undershelter

Pack	Cat.Nos	Enclosures																	
		Supplied with plinth height 100 mm Supplied without side panel																	
		Width 700 mm 24 modules per row																	
		<table border="1"> <thead> <tr> <th rowspan="2">Height (mm)</th> <th rowspan="2">Faceplate height (mm)</th> <th colspan="2">Width (mm)</th> <th rowspan="2">Depth (mm)</th> </tr> <tr> <th>external</th> <th>usable</th> </tr> </thead> <tbody> <tr> <td>1595</td> <td>1400</td> <td>700</td> <td>600</td> <td>225</td> </tr> <tr> <td>1995</td> <td>1800</td> <td>700</td> <td>600</td> <td>225</td> </tr> </tbody> </table>	Height (mm)	Faceplate height (mm)	Width (mm)		Depth (mm)	external	usable	1595	1400	700	600	225	1995	1800	700	600	225
Height (mm)	Faceplate height (mm)	Width (mm)			Depth (mm)														
		external	usable																
1595	1400	700	600	225															
1995	1800	700	600	225															
1	204 53																		
1	204 54																		
		Width 950 mm Can incorporate a cable sleeve 36 or 24 modules (if integrated cable sleeve)																	
		<table border="1"> <thead> <tr> <th rowspan="2">Height (mm)</th> <th rowspan="2">Faceplate height (mm)</th> <th colspan="2">Width (mm)</th> <th rowspan="2">Depth (mm)</th> </tr> <tr> <th>external</th> <th>usable</th> </tr> </thead> <tbody> <tr> <td>1595</td> <td>1400</td> <td>950</td> <td>850</td> <td>225</td> </tr> <tr> <td>1995</td> <td>1800</td> <td>950</td> <td>850</td> <td>225</td> </tr> </tbody> </table>	Height (mm)	Faceplate height (mm)	Width (mm)		Depth (mm)	external	usable	1595	1400	950	850	225	1995	1800	950	850	225
Height (mm)	Faceplate height (mm)	Width (mm)			Depth (mm)														
		external	usable																
1595	1400	950	850	225															
1995	1800	950	850	225															
1	204 58																		
1	204 59																		
		Side panels Set of 2 panels																	
1	204 68	For enclosure height 1 595 mm																	
1	204 69	For enclosure height 1 995 mm																	
		Internal cable sleeves																	
		Kits for internal cable sleeves Mounting on the right or left-hand side inside 950 mm wide enclosures Comprising: divider, upright and mounting accessories For creating a cable sleeves with a usable width of 250 mm																	
1	204 28	For enclosure height 1 550 mm, Cat.No 204 58																	
1	204 29	For enclosure height 1 950 mm, Cat.No 204 59																	
		Fixing devices																	
1	206 78	For DPX 250 and 630 vertical																	
1	206 79	For DPX 250 and 630 vertical with earth leakage module																	
		Faceplates with hinges and locks With cut-outs for DPX 250 or 630 with or without earth leakage module																	
1	204 48	For internal cable sleeves height 1 595 mm																	
1	204 49	For internal cable sleeves height 1 995 mm																	

Pack	Cat.Nos	Doors																	
		Supplied with handle, interchangeable key barrels (to be ordered separately, p. 179)																	
		Flat																	
		<table border="1"> <thead> <tr> <th rowspan="2">For cabinet Height x Width (mm)</th> <th colspan="2">Distance faceplate/door</th> </tr> <tr> <th>Metal</th> <th>Glass</th> </tr> </thead> <tbody> <tr> <td>1 595 x 700</td> <td>48</td> <td>44</td> </tr> <tr> <td>1 995 x 700</td> <td>48</td> <td>44</td> </tr> <tr> <td>1 595 x 950</td> <td>48</td> <td>44</td> </tr> <tr> <td>1 995 x 950</td> <td>48</td> <td>44</td> </tr> </tbody> </table>	For cabinet Height x Width (mm)	Distance faceplate/door		Metal	Glass	1 595 x 700	48	44	1 995 x 700	48	44	1 595 x 950	48	44	1 995 x 950	48	44
For cabinet Height x Width (mm)	Distance faceplate/door																		
	Metal	Glass																	
1 595 x 700	48	44																	
1 995 x 700	48	44																	
1 595 x 950	48	44																	
1 995 x 950	48	44																	
1	212 73																		
1	212 74																		
1	212 78																		
1	212 79																		
		External cable sleeves																	
		Side cable sleeves Can be attached on the right or left-hand side Supplied without side panels with a plinth height 100 mm																	
		<table border="1"> <thead> <tr> <th rowspan="2">Height (mm)</th> <th rowspan="2">Faceplate height (mm)</th> <th colspan="2">Width (mm)</th> <th rowspan="2">Depth (mm)</th> </tr> <tr> <th>external</th> <th>usable</th> </tr> </thead> <tbody> <tr> <td>1 595</td> <td>1 400</td> <td>500</td> <td>400</td> <td>225</td> </tr> <tr> <td>1 995</td> <td>1 800</td> <td>500</td> <td>400</td> <td>225</td> </tr> </tbody> </table>	Height (mm)	Faceplate height (mm)	Width (mm)		Depth (mm)	external	usable	1 595	1 400	500	400	225	1 995	1 800	500	400	225
Height (mm)	Faceplate height (mm)	Width (mm)			Depth (mm)														
		external	usable																
1 595	1 400	500	400	225															
1 995	1 800	500	400	225															
1	204 73																		
1	204 74																		
		Fixing devices																	
1	206 28	For DPX 250 and 630 vertical																	
1	206 29	For DPX 250 and 630 vertical with earth leakage module																	
		Faceplates with hinges and locks With cut-outs for DPX 250 or 630 with or without earth leakage module																	
1	204 43	For internal cable sleeve height 1 595 mm																	
1	204 44	For internal cable sleeve height 1 995 mm																	
		Doors																	
1	204 83	For external cable sleeve height 1 400 mm																	
1	204 84	For external cable sleeve height 1 800 mm																	
		Accessories																	
1	205 85	Sealing kit for use when joining cabinets together																	
1	204 86	Joining kit ⁽¹⁾																	
8	204 82	Lifting rings Set of 2																	

(1) For enclosures height 1 595, use 3 kits
For enclosures height 1 995, use 4 kits

NEW

XL³ 800 modular distribution enclosures



204 14



204 19

IP 43 - IK 08 with kit IP 43 and door
IP 40 - IK 08 with door
IP 30 - IK 07 without door
Metal enclosures
Can take devices up to 800 A
Fireproof to 750 °C/5 s in accordance with IEC 60695-2-1
For installation in public buildings
Capacity: 24 modules per row
RAL 7035
Can be joined horizontally with all the XL³ 800 - IP 43 enclosures and cable sleeves
For creating partial doors with a single back

Pack	Cat.Nos	Modular enclosures				
		Kits comprising : a metal back equipped with functional uprights, 4 corners, a roof, a base and a plinth Supplied without side panel				
		Height (mm)	Faceplate height (mm)	Width (mm)		Depth (mm)
				external	usable	
1	204 13	1550	1400	660	600	230
1	204 14	1950	1800	660	600	230

Modular side panels

Pack	Cat.Nos	Height (mm)
1	204 15	600
1	204 16	800
1	204 17	1000
1	204 18	1200

Modular panel supports
For creating partial areas
Set of 2
Can take side panels

Pack	Cat.Nos
1	204 19

Doors

Supplied with handle interchangeable key barrels (to be ordered separately)

Pack	Cat.Nos	Height (mm)
1	212 49	600
1	212 50	800
1	212 51	1000
1	212 52	1200

Glass
Height (mm)

Pack	Cat.Nos	Height (mm)
1	212 39	600
1	212 60	800
1	212 61	1000
1	212 62	1200

XL³ 800 cables fixing, plinths, compartmentalisation dividers and accessories



204 36



201 95

Pack	Cat.Nos	Cable fixing supports
1	204 35	For 660 mm wide cabinets
1	204 36	For 910 mm wide cabinets
1	204 37	For horizontal external cable sleeves

Plinths

Pack	Cat.Nos	For IP 43 enclosures
1	204 10	Width: 660 mm
1	204 11	Width: 910 mm
1	204 12	For cable sleeves width: 460 mm

Pack	Cat.Nos	For IP 55 enclosures
1	204 60	Width: 700 mm
1	204 61	Width: 950 mm
1	204 62	For cable sleeves, width: 500 mm

Dividers for horizontal compartmentalisation

Pack	Cat.Nos	For cabinets and enclosures, usable width: 600 mm
1	204 90	For cabinets and enclosures, usable width: 600 mm
1	204 91	For cabinets and enclosures, usable width: 850 mm
1	204 94	For modular enclosures, usable width: 600 mm

Accessories

Pack	Cat.Nos	Wall mounting lugs
1	201 00	Set of 4 metal lugs for IP 43 cabinets and enclosures

Universal supports
For mounting terminal blocks, earth terminals, etc.

Pack	Cat.Nos	For internal cable sleeves
1	201 96	For internal cable sleeves
Pack	Cat.Nos	For external cable sleeves
1	201 95	For external cable sleeves

Cable entry plate
Additional adjustable plate for XL³ 800 - IP 43

Pack	Cat.Nos
1	204 20

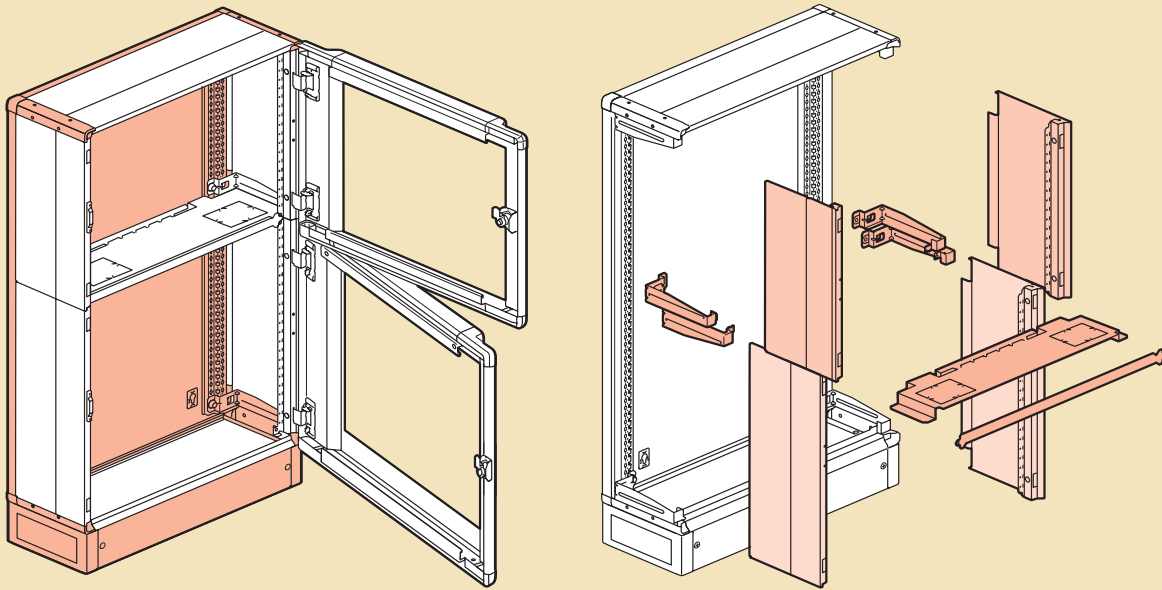
Key barrels

Pack	Cat.Nos	Supplied with a set of 2 keys
1	202 91	Type 405
1	202 92	Type 455
1	202 93	Type 1242E
1	202 94	Type 2433A
1	202 96	Double bar knockout

XL³ 800

modular distribution enclosures

■ Installation principle



■ Possible compositions

	Panels support	Side panels	Metal	Doors	Glass
	204 19	204 15 204 16	212 49 212 50		212 39 212 60
	204 19 x 2	204 15 x 3	212 49 x 3		212 39 x 3
	204 19	204 16 204 17	212 50 212 51		212 60 212 61
	204 19	204 15 204 18	212 49 212 52		212 39 212 62

XL³ 800

equipment for mounting on rail : Lexic, Vistop up to 160 A, DPX 125, 160, 250 ER and DPX-IS 250



206 00



208 10

209 10

Pack	Cat.Nos	
	No of modules 24	36
1	206 00	206 50
1	262 08	
1	262 09	
1	262 39	
1	262 99	

Fixing on rail

Rails

Comprising: an aluminium profile rail and two 2-position fixing brackets
Fit onto functional uprights
Take XL-Part 100 and 125 row distribution blocks
For mounting DPX using the plates below

Fixing plates

For mounting DPX on rails Cat.Nos 206 00 and 206 50

For DPX 125
For DPX 160 and DPX 250 ER
For DPX-IS 250

Rail height spacer

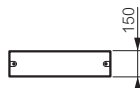
Fits on a rail ; used to mount on the same row DX and DPX/DPX-IS mounted on plate Cat.Nos 262 08/09/39 20 modules

Pack	Cat.Nos	
	No of modules 24	36
1	208 00	209 50
1	209 00	209 51
1	208 01	
1	209 01	
1	208 10	
1	209 10	

Metal faceplates

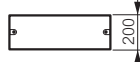
For Lexic modular devices

1/4 turn⁽¹⁾
With captive screws⁽²⁾



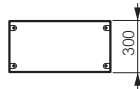
For Vistop up to 160 A and DPX 125

1/4 turn⁽¹⁾
With captive screws⁽²⁾



For DPX 125, 160 and 250 ER and DPX-IS 250

1/4 turn⁽¹⁾
With captive screws⁽²⁾



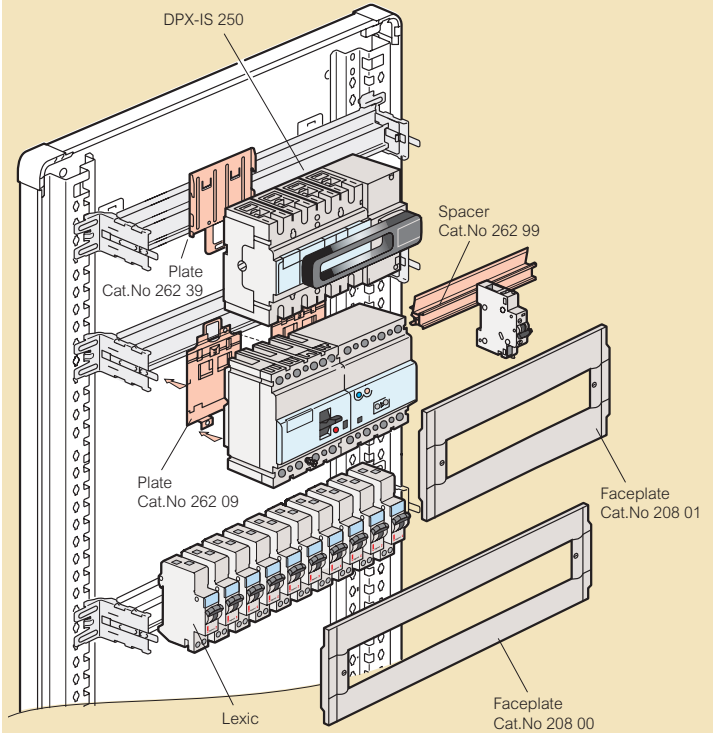
XL³ 800

equipment for mounting on rail : Lexic, Vistop up to 160 A, DPX 125, 160, 250 ER and DPX-IS 250

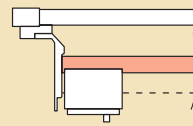
Principle for installation of aluminium rail

Cat.Nos 206 00/50

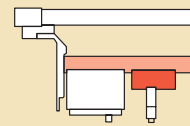
Adjustable device: upper position for Lexic device and lower position for DPX
No screw required for installation



Lower position

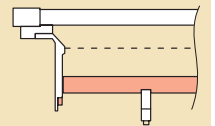


DPX only



DPX only + spacer for Lexic devices

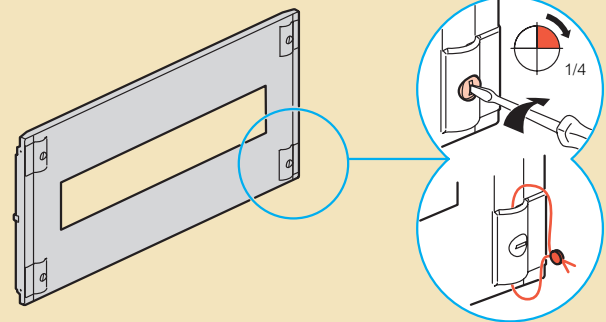
Upper position



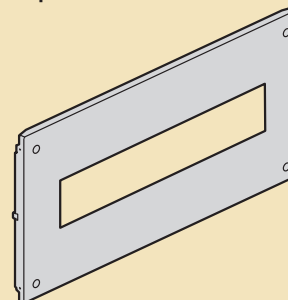
For Lexic devices

Metal faceplates

1/4 turn fastening and sealable



Captive screws



(1) For fastening and sealing
(2) Hinges Cat.No 209 59 available as an option

XL³ 800

equipment for mounting on plate: DPX-IS 250, DPX-IS 630, DPX-IS 1 600 and DPX 630



206 05



208 10

209 10

For DPX-IS 250, DPX-IS 630, DPX-IS 1 600 and DPX 630

Pack	Cat.Nos	Plates for DPX 630
	No of modules 24	Direct fixing on functional uprights
1	206 33	For vertical mounting For associating DPX 630 ⁽¹⁾ and DPX-IS 630 ⁽¹⁾ For cabinets or enclosures
1	206 36	For 1 DPX 630 ⁽¹⁾ with or without earth leakage module
1	206 37 ⁽²⁾	For cabinets or enclosures For 1 DPX 630 ⁽¹⁾ with or without earth leakage module For internal cable sleeve height 1550 and 1950 mm

Pack	Cat.Nos	Plates for DPX-IS
	No of modules 24 36	Direct fixing on functional uprights
1	206 05 206 55	For 1 or 2 DPX-IS 250
1	206 07 206 57	For 1 or 2 DPX-IS 630
1	206 30	For 1 DPX-IS 1600

Pack	Cat.Nos	Metal faceplates	Dimensions (mm)
	No of modules 24 36	For DPX-IS 250 in central position 1/4 turn ⁽³⁾ With captive screws ⁽⁴⁾	300
1	208 10		
1	209 10		
		For 2 DPX-IS 250 1/4 turn ⁽³⁾ With captive screws ⁽⁴⁾	300
1	208 06		
1	209 06		
		For 1 DPX-IS 630 1/4 turn ⁽³⁾ With captive screws ⁽⁴⁾	300
1	208 07		
1	209 07		
		For 1 DPX-IS 1600 With captive screws ⁽⁴⁾	400
1	209 08		
		For DPX 630 With captive screw For DPX 630 vertical	600
1	209 22		
		For DPX 630 horizontal For DPX-IS 630	300
1	209 23		
1	209 07		
		For DPX 630 in internal cable sleeves Height 1550 mm with hinges and lock Height 1950 mm with hinges and lock	
1	204 48		
1	204 49		

(1) Up to 400 A
(2) Use hinges and lock faceplates for DPX 250 or DPX 630 Cat.Nos 204 48/49
(3) For fastening and sealing
(4) Hinges Cat.No 209 59 available as an option

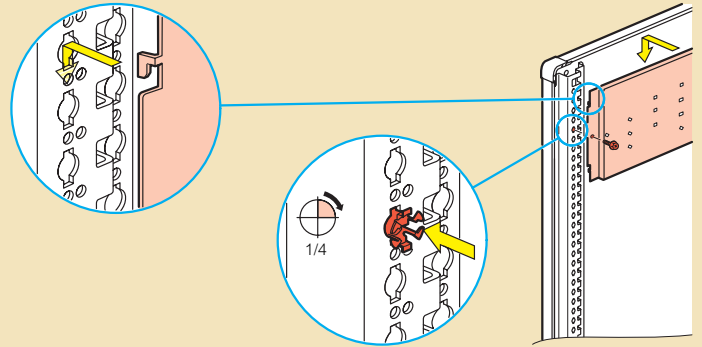
Red catalogue numbers: New products

XL³ 800

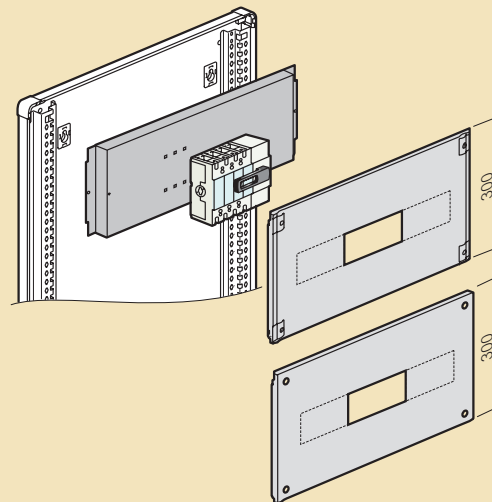
equipment for mounting on plate: DPX-IS 250, DPX-IS 630, DPX-IS 1 600 and DPX 630

Installation principle

Attaching and fitting plates directly on functional uprights



DPX-IS 250 mounting

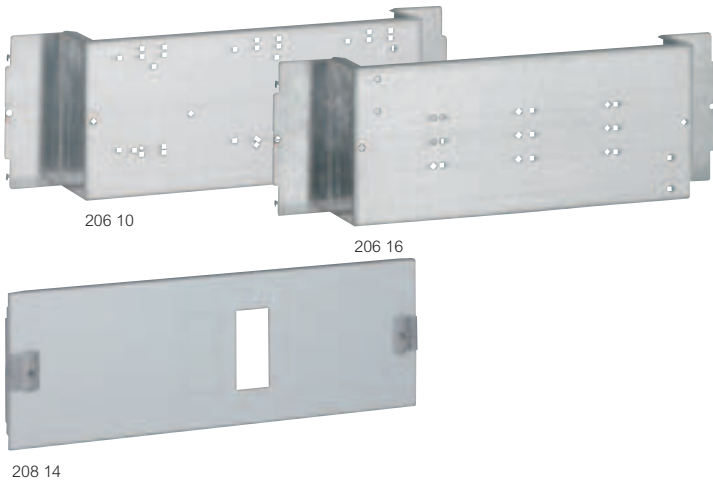


Selection of faceplates and plates for DPX-IS

Cabinets, enclosures width	Plates	DPX-IS	1/4 turn fastening	Faceplates Screw	Faceplate height (mm)	
660 mm	206 05	DPX-IS 250	x 1	208 10	209 10	300
	206 05	DPX-IS 250	x 2	208 06	209 06	300
	206 07	DPX-IS 630	x 1	208 07	209 07	300
910 mm	206 55	DPX-IS 250	x 1	-	209 60	300
	206 55	DPX-IS 250	x 2	-	209 60	300
	206 57	DPX-IS 630	x 1	-	209 57	300

XL³ 800

equipment for mounting on plate: DPX 125, DPX 160 and DPX 250 ER



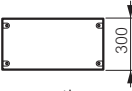
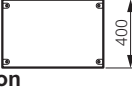

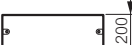
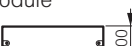
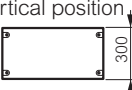
Pack	Cat.Nos
	No of modules 24 36
1	206 10 206 60
1	206 12 206 62
1	206 14
1	206 16

Plates for fixed version DPX, with front terminal
 Direct fixing on functional uprights
Devices in vertical position
 For 1 to 3 DPX 125⁽¹⁾, DPX 160 or DPX 250 ER
 For 1 to 3 DPX 125⁽¹⁾, DPX 160 or DPX 250 ER with downstream earth leakage module
Devices in horizontal position
 Cut-out protection for cable passing, use seal Cat.No 202 40 (p. 185)
 For 1 DPX 125 or DPX 160 with or without downstream earth leakage module
 For 1 DPX 250 ER with or without downstream earth leakage module

	24 modules
1	206 64
1	206 66

Plates for supply inverters
Manual devices in vertical position
 For 2 DPX 160
 For 2 DPX 250 ER

	No of modules	
	24	36
1	208 10	209 60
1	209 10	
1	208 12	209 62
1	209 12	
1	208 14	
1	209 14	
1	208 15	
1	209 15	
1	208 16	
1	209 16	
1	208 10	
1	209 10	

Metal faceplates
Devices in vertical position
 For 1 to 3 DPX⁽¹⁾ only
 1/4 turn⁽²⁾
 With captive screws⁽³⁾

 For 1 to 3 DPX with downstream earth leakage module, positioned using window adaptors below
 1/4 turn⁽²⁾
 With captive screws⁽³⁾

Devices in horizontal position
 For 1 DPX 125 with or without downstream earth leakage module
 1/4 turn⁽²⁾
 With captive screws⁽³⁾

 For 1 DPX 160 with or without downstream earth leakage module
 1/4 turn⁽²⁾
 With captive screws⁽³⁾

 For 1 DPX 250 ER with or without downstream earth leakage module
 1/4 turn⁽²⁾
 With captive screws⁽³⁾

Supply inverters
 For 2 DPX 160 or 250 ER in vertical position
 1/4 turn⁽²⁾
 With captive screws⁽³⁾


1	203 67
1	203 68
1	203 69

Window adaptators
 For DPX 125 with or without downstream earth leakage module
 For DPX 160 with or without downstream earth leakage module
 For DPX 250 ER with or without downstream earth leakage module

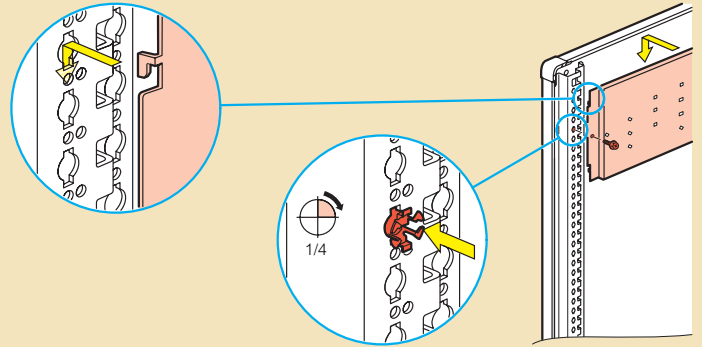
(1) Possibility to mount 4 DPX 125
 (2) For fastening and sealing
 (3) Hinges Cat.No 209 59 available as an option

XL³ 800

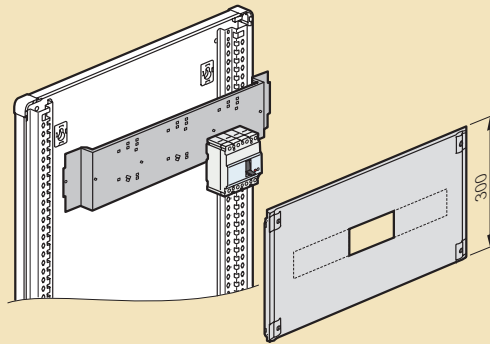
equipment for mounting on plate: DPX 125, DPX 160 and DPX 250 ER

Installation principle

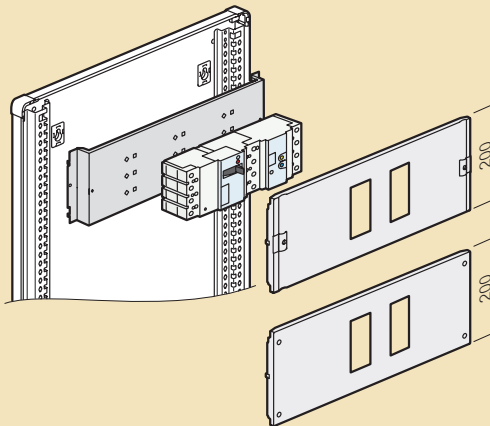
Attaching and fitting plates directly on functional uprights



Device in vertical position

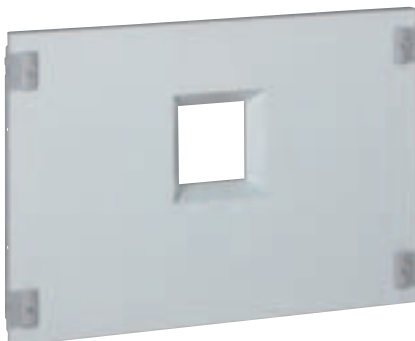
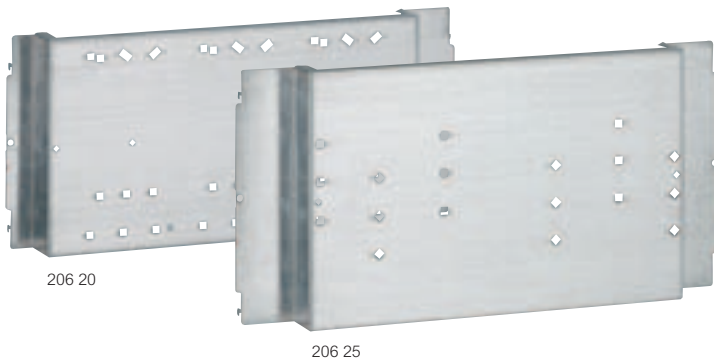


Device in horizontal position



XL³ 800

equipment for mounting on plate: DPX 250, DPX 630 and DPX 1 600



208 34

Pack	Cat.Nos		Plates for fixed version DPX, with front terminal
	No of modules 24	36	
1	206 20	206 70	Direct fixing on functional uprights Devices in vertical position For 1 to 3 DPX 250 or 630 For 1 to 3 DPX 250 or 630 with earth leakage module For 1 DPX 1600
1	206 22	206 72	
1	206 30	206 80	
1	206 24		Devices in horizontal position For cut-out protection for cable passing, use seal Cat.No 202 40 (p. 185) For 1 DPX 250 with or without earth leakage module For 1 DPX 630 with or without earth leakage module For 1 DPX 1600
1	206 23		
1	206 30	206 80	

		Metal faceplates		
		No of modules 24	36	
1	208 20			Devices in vertical position For 1 to 3 DPX 250 and DPX 630 only 1/4 turn ⁽¹⁾ With captive screws ⁽²⁾
1	209 20	209 70		
1	208 22			For 1 to 3 DPX 250 and 630 with downstream earth leakage module 1/4 turn ⁽¹⁾ With captive screws ⁽²⁾
1	209 22	209 72		
1	208 30			For 1 DPX 1600 1/4 turn ⁽¹⁾ With captive screws ⁽²⁾
1	209 30	209 80		
1	208 24			Devices in horizontal position For 1 DPX 250 with or without earth leakage module 1/4 turn ⁽¹⁾ With captive screws ⁽²⁾
1	209 24			
1	208 23			For 1 DPX 630 with or without earth leakage module 1/4 turn ⁽¹⁾ With captive screws ⁽²⁾
1	209 23			
1	208 34			For 1 DPX 1600 1/4 turn ⁽¹⁾ With captive screws ⁽²⁾
1	209 34	209 84		

(1) For fastening and sealing
(2) Hinges Cat.No 209 59 available as an option

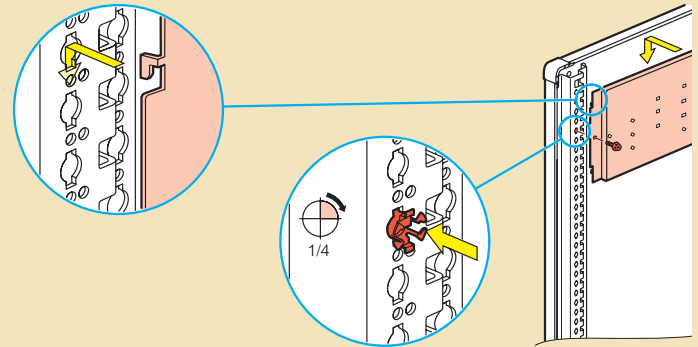
Red catalogue numbers: New products

XL³ 800

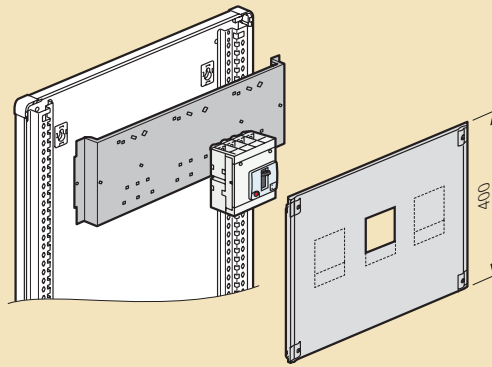
equipment for mounting on plate: DPX 250, DPX 630 and DPX 1 600

Installation principle

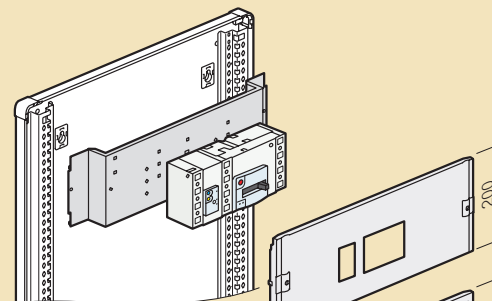
Attaching and fitting plates directly on functional uprights



Device in vertical position

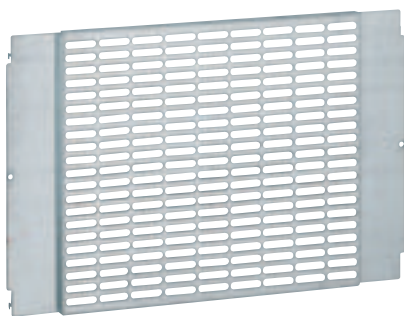


Device in horizontal position



XL³ 800

accessories and faceplates



206 42



200 92



209 59



206 02



209 45

Pack	Cat.Nos	Accessories
		Universal plates
1	206 41	Fit onto functional uprights
		Perforated width 600 mm height 200 mm
1	206 42	Perforated width 600 mm height 400 mm
1	206 43	Plain width 600 mm height 200 mm
1	206 44	Plain width 600 mm height 400 mm
1	206 45	Plain width 600 mm height 600 mm
1	206 46	Plain width 850 mm height 400 mm
		Universal rails
		Fit onto functional uprights
1	206 04	Width 600 mm
1	206 54	Width 850 mm
		Universal adjustable fixing devices
		Comprising a rail and 2 adjustable fixing brackets
		Fit onto functional uprights
1	206 02	For 24 modules cabinets and enclosures
1	206 52	For 36 modules cabinets and enclosures
		Clip nuts for functional uprights
		1/4 fastening on front panel
20	200 92	Clip nuts for M6 screws
		Screws
50	200 91	M6 screws
		Aerosol paint spray
6	200 98	RAL 7035
		Lighting kit
1	209 89	Fits onto supplied faceplate

Pack	Cat.Nos	Wiring
		Lina 25 ducting mounting supports
		For horizontal and vertical mounting and height adjustment of Lina 25 ducting
		Supplied with plastic rivets
1	204 70	Set of 2
		Fit directly on functional uprights
		For 36 modules cabinets and enclosures
1	205 70	Set of 2
		For 24 modules cabinets and enclosure
		Lina 25 ducting
		Length: 2 m
		Width x Height (mm)
48	362 07	40 x 60
40	362 08	40 x 80
32	362 12	60 x 60
32	362 13	60 x 80
		Plastic rivet
100	200 80	For fixing Lina 25 ducting on functional uprights

Pack	Cat.Nos	Solid metal faceplates
		1/4 turn
		For fastening and sealing
		Height (mm)
		No of modules
		24
1	208 40	50
1	208 41	100
1	208 42	150
1	208 43	200
1	208 44	300
1	208 45	400
1	208 46	600
		Captive screws
		Hinges Cat.No 209 59 available as an option
		Height (mm)
		No of modules
		24 36
1	209 40	209 90
1	209 41	209 91
1	209 42	209 92
1	209 43	209 93
1	209 44	209 94
1	209 45	209 95
1	209 46	209 96
		Hinges
1	209 59	Set of 2 hinges
		Fit on screw mounting faceplates
		Blanking plates
		For metal or plastic faceplates
		24 modules, smooth adjustable strip
		18 modules, separable into module or 1/2 module
20	200 51	
10	016 65	
		Clip-on holder for adhesive labels
		Supplied with a sheet of labels for marking rows on faceplate
10	203 99	

Pack	Cat.Nos	Ventilating faceplates
		Assist natural ventilation
		Screw mounting
		Height 200 mm
		No of modules
		24 36
1	209 49	209 99

Connection of protective conductor (p. 186)